

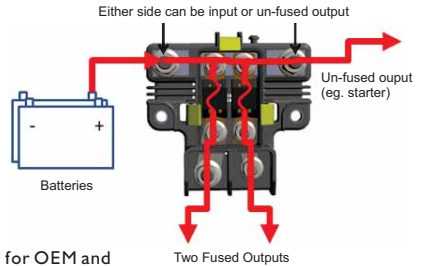
MEGA FUSE HIGH POWER DISTRIBUTION MODULE 2 POLE



The 2 Pole High Power Distribution Module (HPDM) provides two high current Mega fuse protected circuit outputs as well as an un-fused output that can optionally be used to parallel multiple modules or deliver power to circuits which do not require circuit protection or to daisy chain multiple devices.

Part Number	Description
880195400	2 Pole with cover

Voltage: 48VDC (limited by fuses).
Max Input Current: 600A
Max Fuse Rating Per Circuit: 300A
Fuse Nuts: 4 x M8 (included)
Fuse Nut Torque: 15Nm
Input Studs: 1 x M8, 3 x M10
Input Nut Torque: 20Nm
Mounting Holes: M8
Mounting Torque: 30Nm
Flammability Rating: UL94-V0
Temperature Rating: -50°C to +105°C.
Kit Contents: Includes cover & gasket.
IP Rating: IP67, IP69K
Dimensions: 129 x 125 x 45mm
Kit Contents: Includes PDM, cover & 4 x nuts for fuse studs. Nuts (4) for input studs are not included.
Notes: Fuses not included.



The 2-Pole High Power Distribution Module (HPDM) is designed for OEM and aftermarket applications in the heavy truck and trailer industry.

Features and Benefits

- Separate fuse compartment provides a seal that protects the fuses and their terminations from harsh environments. This allows for permanent cable connections that can be dielectrically sprayed without affecting the fuse.
- Custom insert-molded studs for input/output cable terminations and MEGA® fuse attachment, resulting in high terminal torque capability and lower connection resistance.
- Designed to minimize bridging corrosion between positive live metal surfaces and potentially grounded assembly hardware or mounting surfaces.
- Metal inserts at the mounting holes allows for an increased assembly torque without distorting the base material.
- Optional un-fused terminal for daisy chaining multiple devices or providing power distribution to circuits which cannot be fused.
- AssureLatch™ Technology positive-sealing latches keep the cover securely in place while allowing for fast service.
- Cover label recess allows optional addition of application specific labels per end-customer requirements.

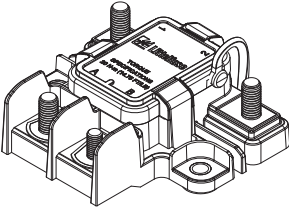
RELATED PRODUCTS:



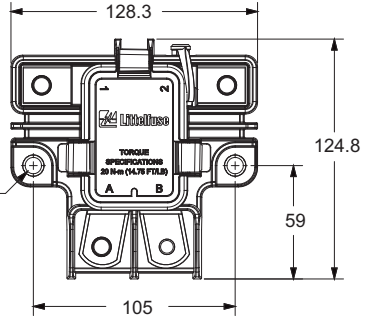
Mega Fuse 32V



Mega Fuse 70V



2 x Ø8.5
Mounting Holes
for M8 Hardware



Dimensions in MM

