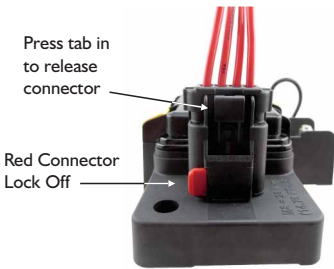
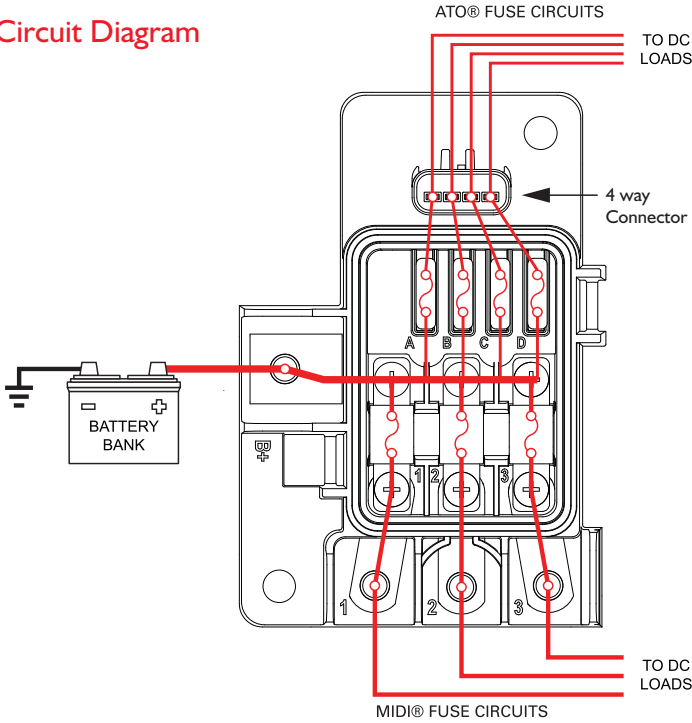


Circuit Diagram



Connector fitted to unit.



Connector cannot be removed when lock is engaged.

4 WAY SEALED CONNECTOR KIT

Prolec

Part Number	Description
XTCK4	4 Way Connector kit includes connector & terminals.
CT-P78	Terminal Crimp Tool

Cable Size: # 16 to # 14 (1 to 2mm²)

Max Insulation Diameter: 2.77mm

Terminal Material: CuTeSn/CuBe, Tin plated



Assembly Instructions:



Step 1. Gently pry the cable cover off using a small flat head screw driver.



Step 5. Crimp terminal to insulation. Repeat for each of the 4 cables.



Step 2. Remove the lubricated silicone seal using a small pin or paperclip.



All terminals now crimped onto cables.



Step 3. Insert wires through cable cover and silicone seal.



Step 6. Insert terminals into connector, fit the seal and lock the cover into place.



Step 4. Crimp terminal to wire. Repeat for each of the 4 cables.



Step 7. Press the blue terminal lock back into the connector, so it clicks into place.