

Create a new fuse protected circuit by tapping into an existing fuse circuit. Perfect for adding accessories. Simply plug the add a circuit holder into an existing energized fuse-block slot and insert the original fuse into slot (A) to continue protecting the original circuit. Finally insert a new fuse into slot (B) to protect the new accessory circuit powered by the included lead.

**Tap Only Bulk Pack**

**Tap & Fuse Kit Retail Clam Shell**

Part Number	Part Number	Suits Blade Fuse Type
FHC200	FHC200K	Micro2 / ATR
FHL200	FHL200K	Low Pro Mini / LP ATM
FHM200	FHM200K	Mini / ATM
FHA200	FHA200K	Auto / ATC
FHD200	FHD200K	Micro3 / ATL



**FHC200 (Micro2 Blade)**

**Rating:** 10A max installation rating. **Voltage:** 32V

**Wire:** 1mm<sup>2</sup> #16AWG red wire.

**Terminal:** Hardened brass crimp-type coupler.

**Tap Only Bulk Pack:** Includes Fuse Tap Only. No Fuses.

**Tap & Fuse Kit Packaging:** Includes Add-a-circuit & 3 spare fuses.

Ratings included are 5A, 7.5A & 10A.

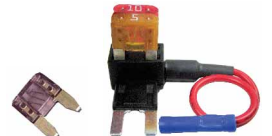
**Important Note:** Please ensure the gauge of the cable powering the original fuse is suitable for the additional current draw of the new circuit.

**Pack Size:** 1, 10, 100, 500, 1000

**Approvals:**



**FHL200 (Low Pro Mini Blade)**



**FHM200 (Mini Blade)**

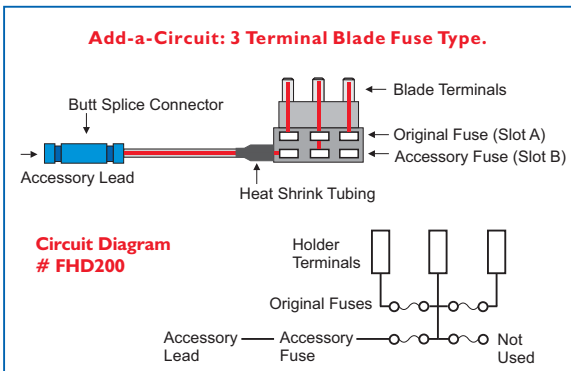
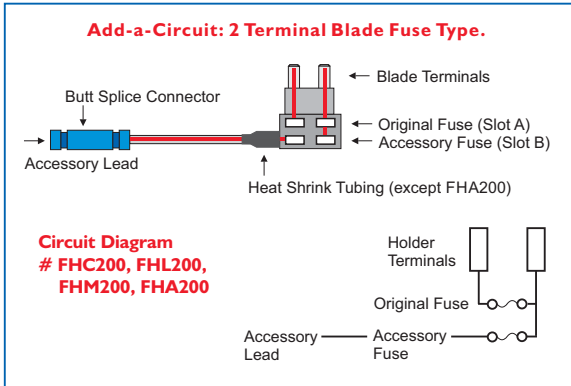


**FHA200 (Auto Blade)**



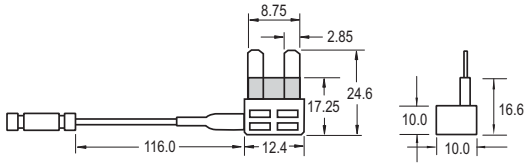
**Tap & Fuse Kits**

**FHD200 (Micro3 Blade)**

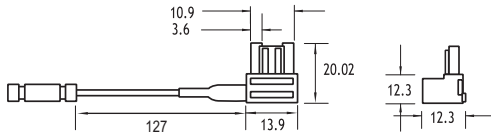


**! Important**  
Please ensure the gauge of the cable powering the original fuse is suitable for the additional current draw of the new circuit.

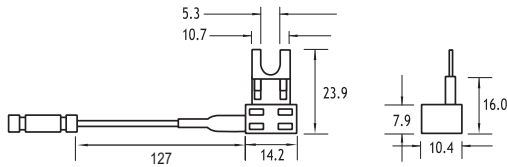
### Micro2 Blade Fuse



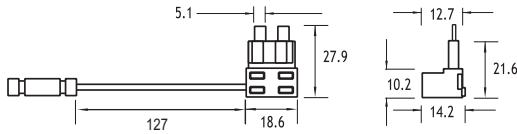
### Low Profile Mini Fuse



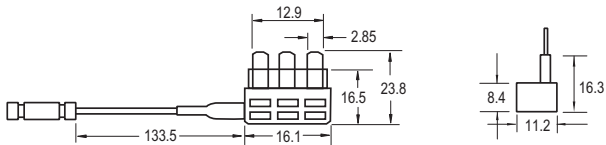
### Mini Blade Fuse



### Auto Blade Fuse



### Micro3 Blade Fuse



Dimensions in MM